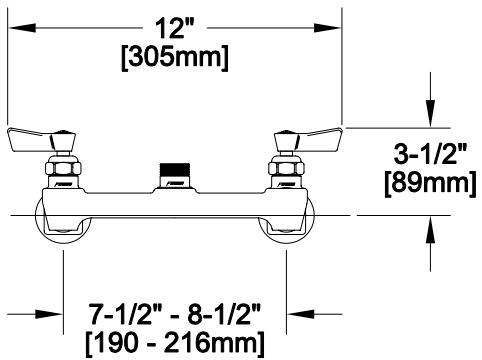


APPLICATION:
 JOB NAME:
 QUANTITY: ITEM NO.

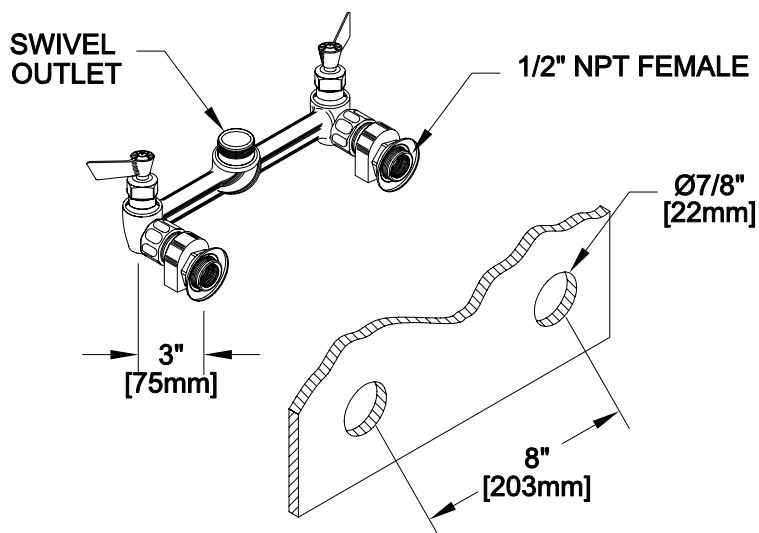
PRODUCT NAME:
 8" ADJ. WALL CONTROL VALVE
 SWIVEL OUTLET
 SPECIAL CONFIGURATION
 CHECK BASE MODEL AND OPTIONS
 MODEL:
 3200



OPTIONS OR MODIFICATIONS:
 SUPPLY LINES (24" OR 36") CIRCLE LENGTH
 NIPPLES
 ELBOWS
 HANDLES (CROSS OR WRIST) CIRCLE STYLE
 VANDAL RESISTANT KIT
 OTHER _____

FEATURES
 CONTROL VALVE
 * ECCENTRICS ADJUST FROM 7-1/2" TO 8-1/2"
 * SWIVELLING SEAT DISKS
 * HOT SIDE STEM - RIGHT HAND
 * COLD SIDE STEM - LEFT HAND
 * STAINLESS STEEL SEATS
 * STAINLESS STEEL SEAT SCREWS
 * STAINLESS STEEL HANDLE SCREWS
 SYSTEM LIMITS
 * TEMP: 40°F MIN. TO 140°F MAX.
 * PRESSURE: 200 PSI MAX. STATIC
 * 2.20 GPM @ 80 PSI
 SHIPPING WEIGHT
 * 4.0 LBS

ROUGH-IN:



FISHER MANUFACTURING COMPANY

TOLL FREE: 800-421-6162 - FAX: 800-832-8238
 information@fisher-mfg.com - www.fisher-mfg.com